

# basics Downlights



## 9W 3CCT LED Downlight with Rapid® Connector

### PRODUCT INFORMATION

#### ML-BSD9-V2-M-RAPID

9W Basic 3CCT LED dimmable downlight, 90mm cut-out with 0.5m flex and Rapid® connector, 3000K, 4000K & 5700K output colours.

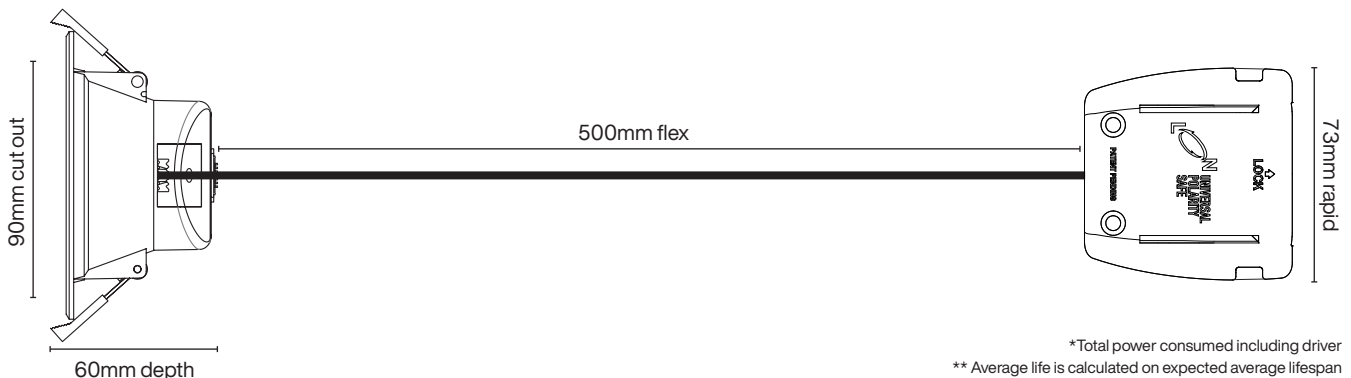
M-Elec's unique Rapid® connector system is not polarity sensitive, it is compatible with common TPS cables\* and allows tool-less and fast installation.

\* Suitable for use with 1.5mm<sup>2</sup> and 2.5mm<sup>2</sup> 2C+E ONLY WITH CENTRE EARTH cables in accordance with AS/NZS 5000.2:2006 conductor range.



### TECHNICAL INFORMATION

Total power consumed:	9W*
Lumen output:	800lm (WW)   900m (NW)   850lm (W)
Colour temperature:	3000K (WW)   4000K (NW)   5700K (W)
IP rating:	IP40
CRI:	>80
Efficacy:	92-100lm/W
Beam angle:	100°
Dimmable:	Yes - New improved dimming driver (See website for dimming charts)
Power Supply:	220-240V AC Integrated driver
Frequency:	50Hz
Average life:	35,000 hrs**
Dimensions:	Diameter 115 mm   Depth 60 mm   Cut-out 90 mm
Net weight:	0.22 kg
Temperature range:	- 20°c to 40°c
Compliance:	SAA, EMC (AS/NZS 60598.1   AS/NZS 60598.2.2   AS/NZS 60998.2.3) IC-4 & IC-F
Connection:	0.5m Flex with Rapid connector
Materials:	Plastic with aluminium housing +PC diffuser
Warranty:	3 years
Kit includes:	1x Downlight with white trim 1x Built in triac dimmable driver with 500mm flex & Rapid® connector



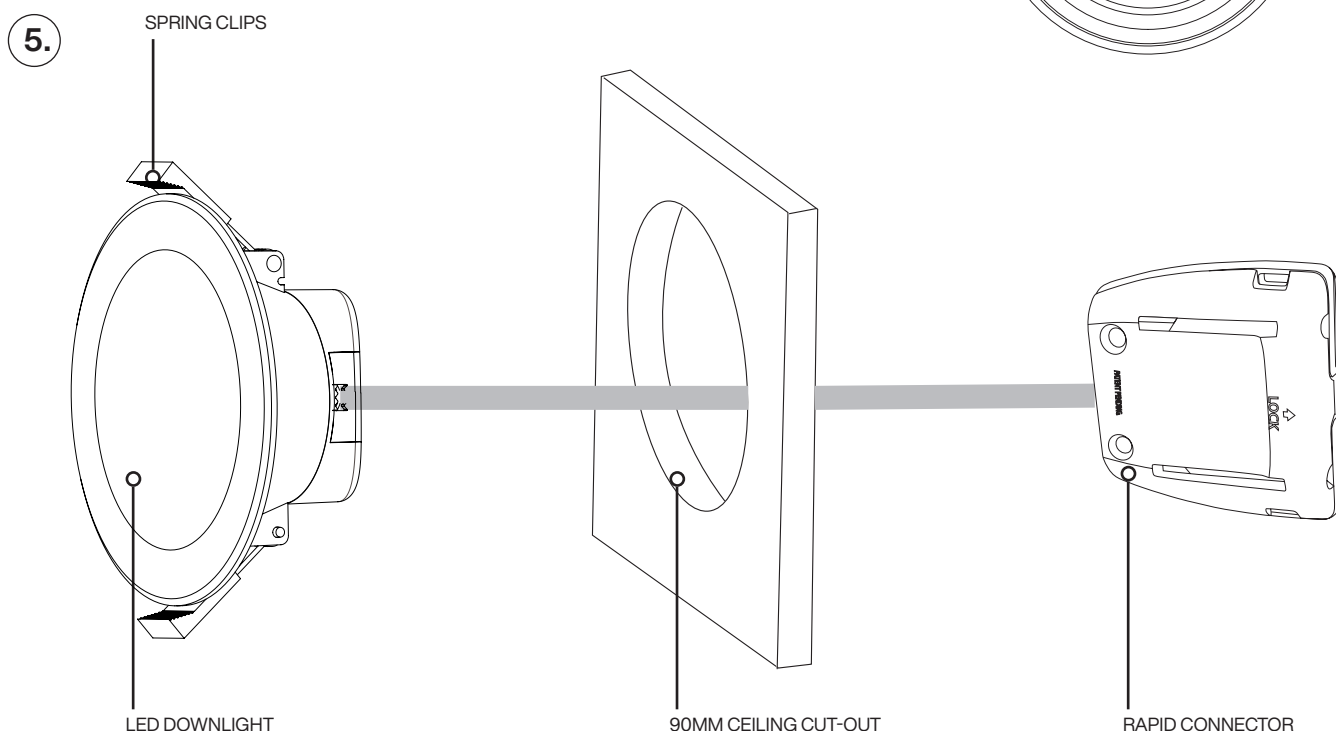
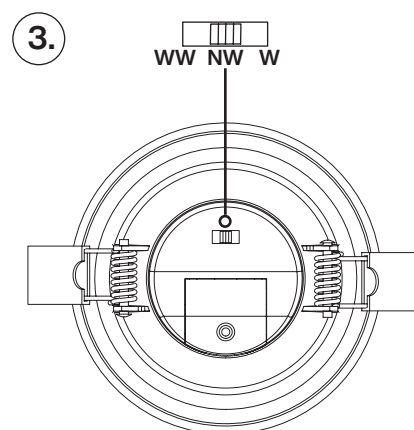
\*Total power consumed including driver  
\*\* Average life is calculated on expected average lifespan

## PLEASE NOTE!

- **MUST BE INSTALLED BY LICENSED ELECTRICIAN!**
- All components must not be mechanically stressed.
- Be careful not to damage or destroy conductive paths on the circuit board.
- Follow all relevant electrical and safety standards (including AS3000).
- Damage by corrosion will not be honoured as a material defect claim. It is the user's responsibility to provide suitable protection against corrosive agents such as moisture, condensation and other harmful elements.
- If these regulations are not followed warranty will be void and all issues are the responsibility of the installer.
- M-Elec still recommends that an air gap is left around driver and light to ensure the maximum life span of the product is achieved.
- For further information please visit [www.melec.com.au](http://www.melec.com.au)

## DOWNLIGHT INSTALLATION INSTRUCTIONS

1. Before commencing installation or maintenance, please ensure electricity is switched off at the mains.
2. Remove existing downlight or mark and cut appropriate hole in ceiling.
3. Set the desired colour output with the selector switch on the back of the downlight head.
4. Install Rapid<sup>®</sup> connector, see next page for instructions.
5. Carefully bend spring clips upwards and install the LED Downlight.
6. Test.

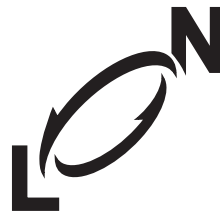


## RAPID® CONNECTOR INSTALLATION INSTRUCTIONS

Follow the below steps to connect the Rapid® connector and downlight to an input TPS cable.

**PLEASE NOTE!**

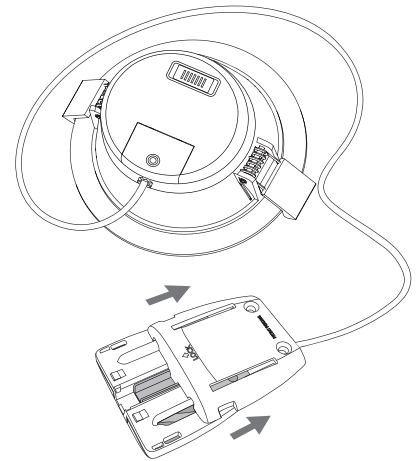
**UNIVERSAL POLARITY SAFE.**  
This product is NOT polarity sensitive.  
L & N are interchangeable.



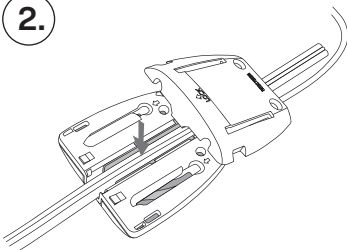
**UNIVERSAL  
POLARITY  
SAFE**

1. Slide the cover back until you can remove it completely.
  2. For 1.5mm<sup>2</sup> cable\* place the cable into the channel and push it down so it's completely flat.
- OR**
3. For 2.5 mm<sup>2</sup> cable\*, remove the insert in the centre.
  4. Place the cable\* into the channel and push it down so it is completely flat.
  5. Align the lid pins with the channel grooves.
  6. Use a steady firm motion and slide the cover closed until you hear a 'click' sound. This indicates the unit is now installed securely.
  7. OPTIONAL: Fix the rapid connector into place using suitable fixing screws or the cable tie loops.

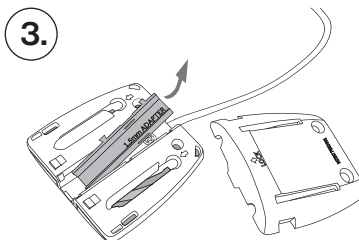
1.



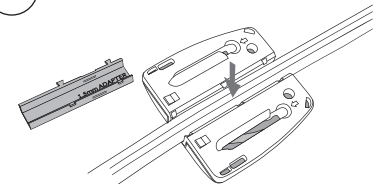
2.



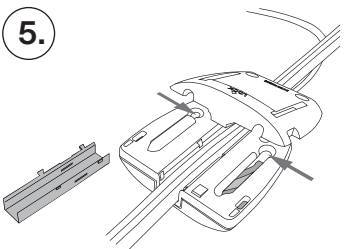
3.



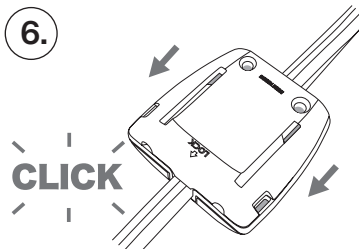
4.



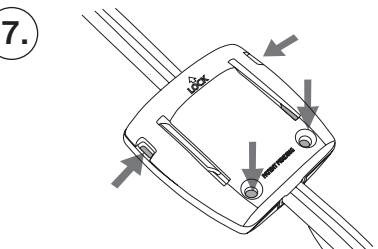
5.



6.



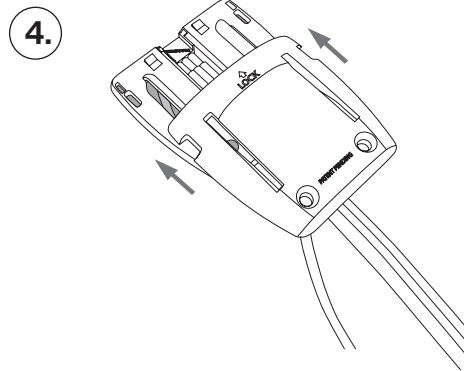
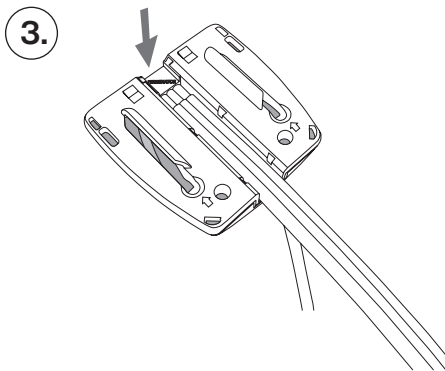
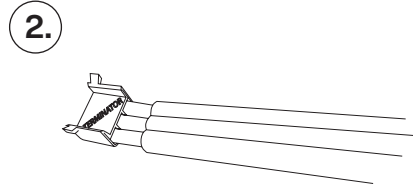
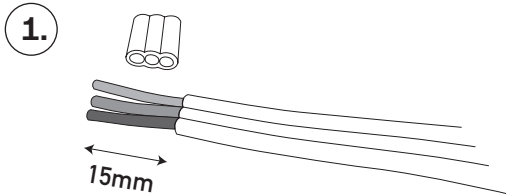
7.



## TERMINATION GUIDE FOR RAPID® CONNECTOR

---

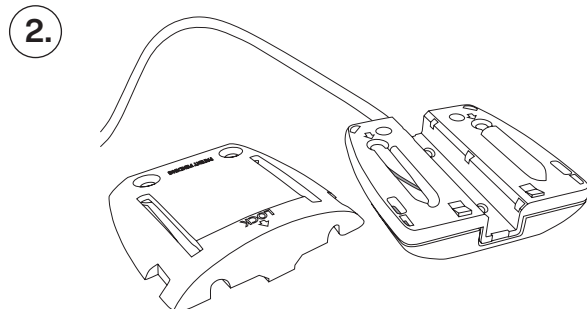
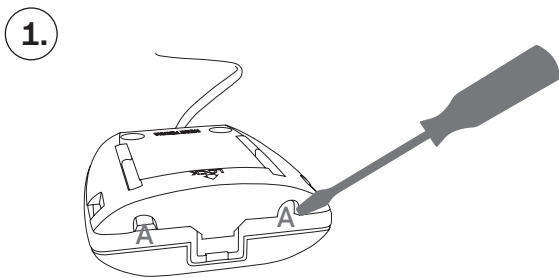
1. Strip 15mm of the outer cable insulation exposing the inner insulated wires.
2. Insert active, earth and neutral insulated cables\* into the slots on the terminator block.
3. Clip the terminator block in the top end of the channel ensuring the cable\* is sitting flat in the channel.
4. Place the cover on top of the main body and press the pins firmly into the channel grooves. Slide lid forwards until you hear a 'click' sound. This indicates the unit is now installed securely.



## UNLOCKING GUIDE FOR RAPID® CONNECTOR

---

1. Insert a small flat bladed screwdriver into position 'A' and lift slightly.
2. Slide the cover back until you can remove it completely.



Due to our policy of continuous product improvement, we reserve the right to discontinue or update product specifications or designs at any time without notice. Please visit [www.melec.com.au](http://www.melec.com.au) for the latest information on our products