

# RF wireless wall mounted 240V RGB/W controller

ML-2820



### Feature

- 1 zone
- Save 3 Scenes
- Sensitive Glass Touch Panel
- RF Signal
- White&black
- North American Size



## Parameter

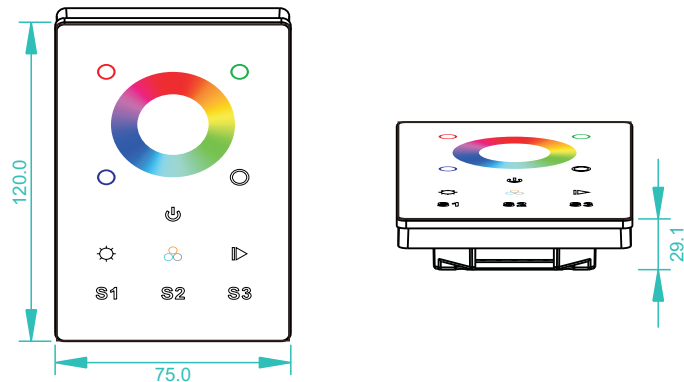
### Remote

Part No.	Operation Voltage	Operation Frequency	DIMENSIONS ø/h (mm)	Remarks
ML-2820	100-240VAC	434MHz	120x75x29.1	Touch Sensor

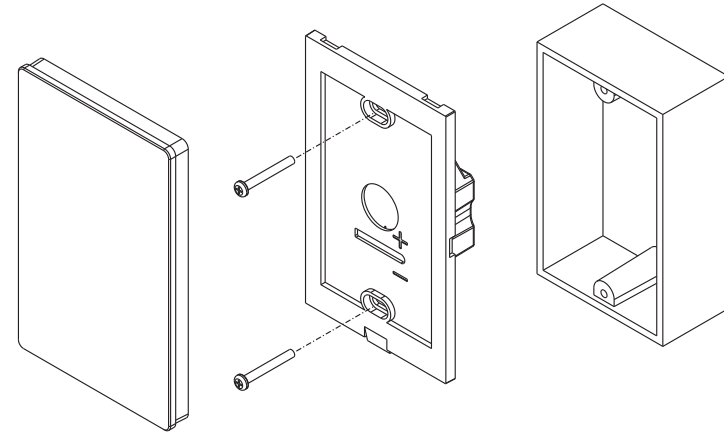
### Receiver(purchased separately)

Part No.	Input Voltage	Current	Output	Remarks
ML-1009FAWi	12-36VDC	4x5A	4x(60-180)W	Constant voltage

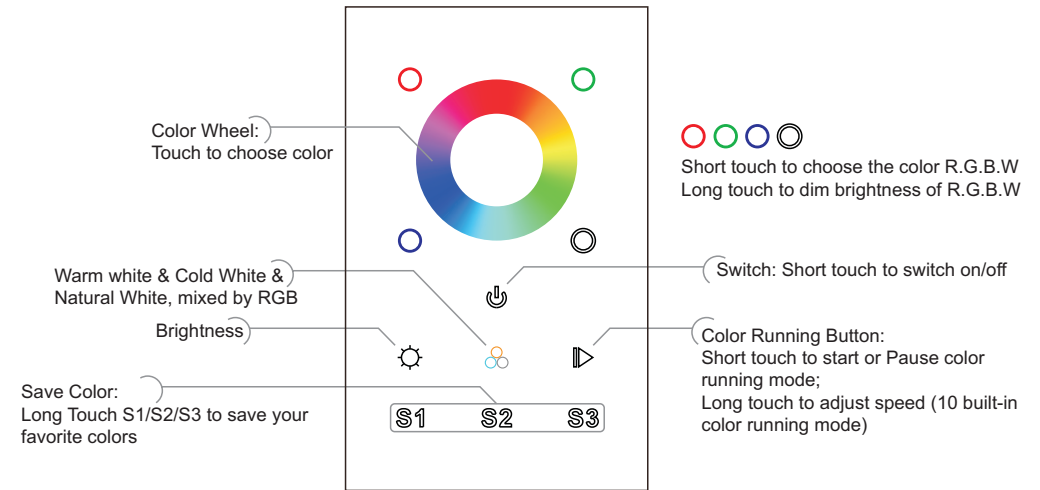
## Product Size



## Installation

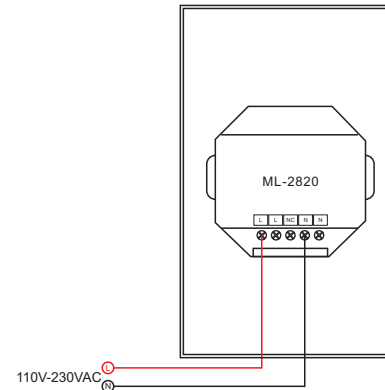


## Button introduction

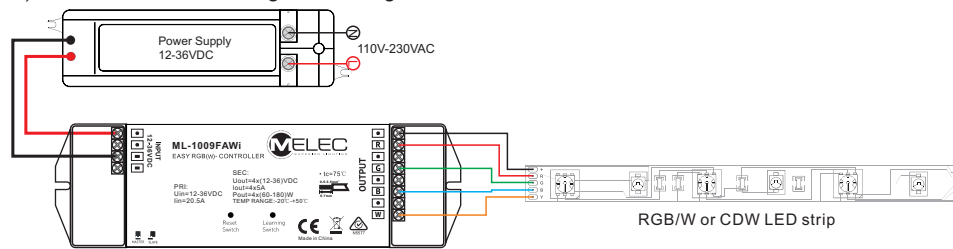


## Wiring diagram

### 1)Sender Connection Diagram



## 2)Receiver Connection Diagram for Single Unit




## Operation

### 1. Do wiring according to connection diagram


### 2. Learning process


- Wake up the panel by touching ON/OFF button.
- Press at learning button on receiver.
- Then touch color wheel.
- Connected LED light will blink to confirm zone designation.
- Press at learning button on receiver over 5 seconds until LED light flash, then delete the learned ID.

### 3. how to save color or mode

S1 S2 S3 buttons can save the color from mode or save color when you touch color wheel or touch  buttons.

In "S1 S2 S3" button, it saved "R/ G/ B" 3 colors in default. But with your operation, you can save another 3 colors replace those R/G/B colors.

Press button , mode runs, see favorite mode---> press S1 or S2 or S3 button over 3 seconds until connected light flashes. Then it saved successfully.

Touch color wheel or touch color temperature button or touch any  buttons----> see favorite color---> press button over 3 seconds until connected light flashes. Then it saved successfully

### How to recall color or mode?

Touch S1/S2/S3 directly. .

## Safety & Warnings

- The product shall be installed and serviced by a qualified person.
- IP20. Please avoid the sun and rain. When installed outdoors, please ensure it is mounted in a water proof enclosure.
- Always be sure to mount this unit in an area with proper ventilation to avoid overheating.
- Please check if the output voltage of any LED power supplies used complies with the working voltage of the product.
- Never connect any cables while power is on and always assure correct connections to avoid short circuits before switching on.
- Please ensure that the cable is secured tightly to the connector.
- For latest information please visit our website [www.melec.com.au](http://www.melec.com.au).

## Warranty Agreement

1) We provide lifelong technical assistance with this product:  
5 year warranty. Every product has printed date on, for example: 1125 means year 2011, week 25. The warranty is for free repair or replacement and covers manufacturing faults only. For faults beyond the 5-year warranty we reserve the right to charge for time and parts.

2) Warranty is void if:

- Any defects are caused by wrong operation.
- Any damages are caused by unauthorized removal, maintenance, modifying, incorrect connection and replacement of components.
- Any damages are due to transportation, vibration etc. after purchase.
- Any damages are caused by earthquake, fire, lightning, pollution and abnormal voltage.
- Any damages are caused by negligence, inappropriate storing at high temperatures and humidity or near harmful chemicals.
- Product has been updated or changed.

3) Repair or replacement as provided under this warranty is the exclusive remedy to the customer.