

# RF Wall Mounted Touch Panel

ML-2830



### Feature

- Backlight
- Glass interface(White & Black)
- Touch sensitive
- Adjust brightness



## Parameter

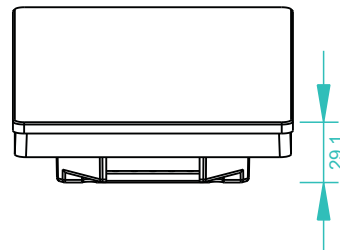
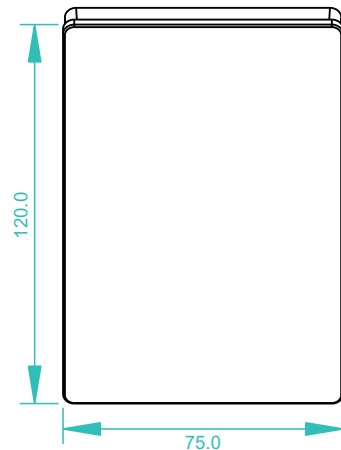
### Remote

Part No.	Operation Voltage	Operation Frequency	DIMENSIONS ø/h (mm)	Remarks
ML-2830	100-240VAC	434MHz/868MHz	120x75x29.1	Touch Sensor

### Receiver(purchased separately)

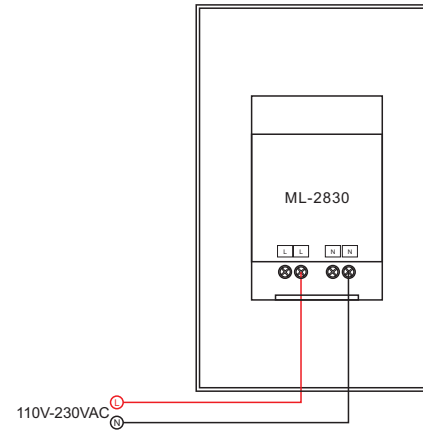
Part No.	Input Voltage	Current	Output	Remarks
ML-1009FAWi	12-36VDC	4x5A	4x(60-180)W	Constant voltage

## Product Size

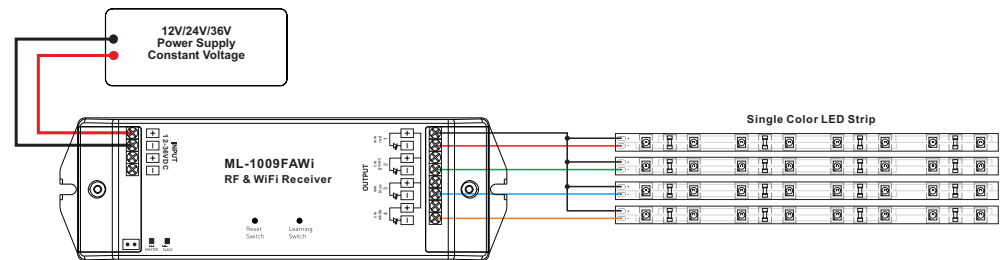


## Wiring diagram

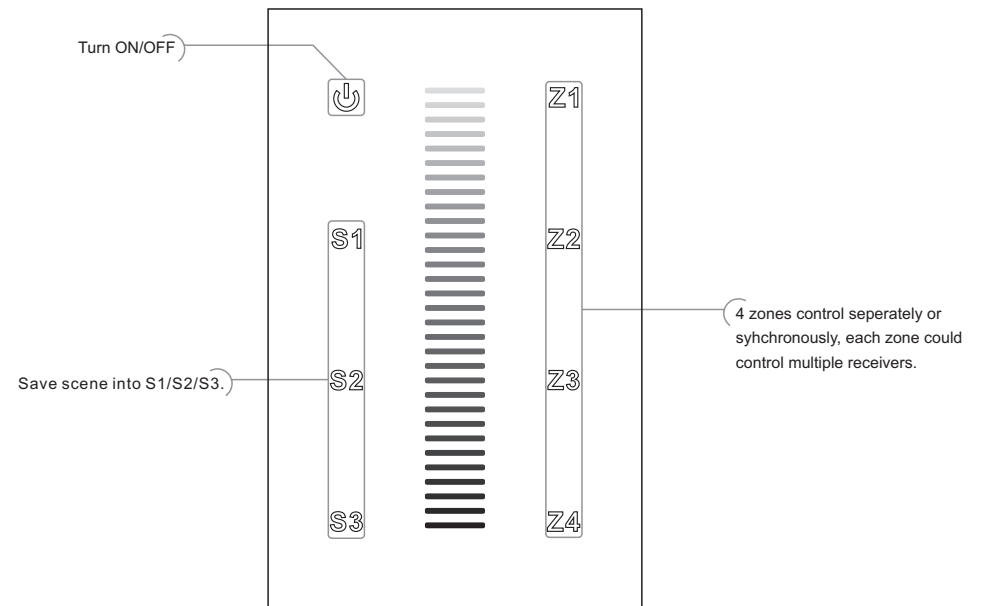
### 1)Sender Connection Diagram



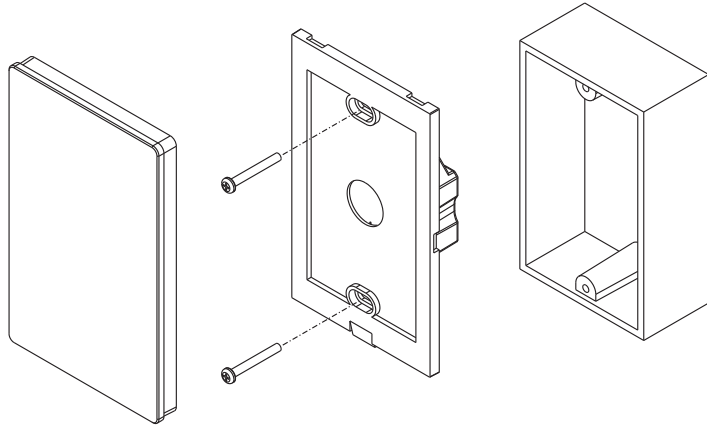
### 2)Receiver Connection Diagram



## Description of buttons



## Installation



## Operation

### 1. Learning ID with SR-1009 series:

Click learning button on RF receiver →

Short Touch a zone button Z1,Z2,Z3 or Z4 →Touch dimming slider

The light flick means ID learnt successfully.

Touch zone button Z1/Z2/Z3/Z4 separately over 2 seconds, which will turn ON/OFF separately.

The backlight blue is ON for the zone, yellow is OFF for the zone.

Notice : Each sender can control 4 different zones separately, each zone can be learned endless receivers , so one sender can control as many receivers as you can.

### 2. Save and replay

Save: Touch dimming slider to get a color→

Hold any button of S1,S2 or S3 over 2 seconds(4zones work together)

The light flick means successfully saved.

Replay: Short touch button S1,S2 or S3 →Replay the scene just saved.

## Safety & Warnings

- 1) The product shall be installed and serviced by a qualified person.
- 2) IP20. Please avoid the sun and rain. When installed outdoors, please ensure it is mounted in a water proof enclosure.
- 3) Always be sure to mount this unit in an area with proper ventilation to avoid overheating.
- 4) Please check if the output voltage of any LED power supplies used complies with the working voltage of the product.
- 5) Never connect any cables while power is on and always assure correct connections to avoid short circuits before switching on.
- 6) Please ensure that the cable is secured tightly to the connector.
- 7) For latest information please visit our website [www.melec.com.au](http://www.melec.com.au).

## Warranty Agreement

1) We provide lifelong technical assistance with this product:

5 year warranty. Every product has printed date on, for example: 1125 means year 2011, week 25. The warranty is for free repair or replacement and covers manufacturing faults only. For faults beyond the 5-year warranty we reserve the right to charge for time and parts.

2) Warranty is void if:

- Any defects are caused by wrong operation.
- Any damages are caused by unauthorized removal, maintenance, modifying, incorrect connection and replacement of components.
- Any damages are due to transportation, vibration etc. after purchase.
- Any damages are caused by earthquake, fire, lightning, pollution and abnormal voltage.
- Any damages are caused by negligence, inappropriate storing at high temperatures and humidity or near harmful chemicals.
- Product has been updated or changed.

3) Repair or replacement as provided under this warranty is the exclusive remedy to the customer.