

# MR Panel range - recessed kit installation guide

ML-MRPRF6X6 - Suits 6x6 MR panels  
 ML-MRPRF12X3 - Suits 12x3 MR panels  
 ML-MRPRF12X6 - Suits 12x6 MR panels

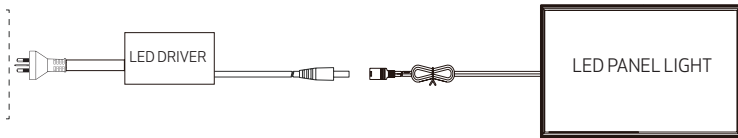


## Installation instructions



**PLEASE FOLLOW INSTRUCTIONS FOR CORRECT INSTALLATION:**

AC 220~240V  
50-60HZ

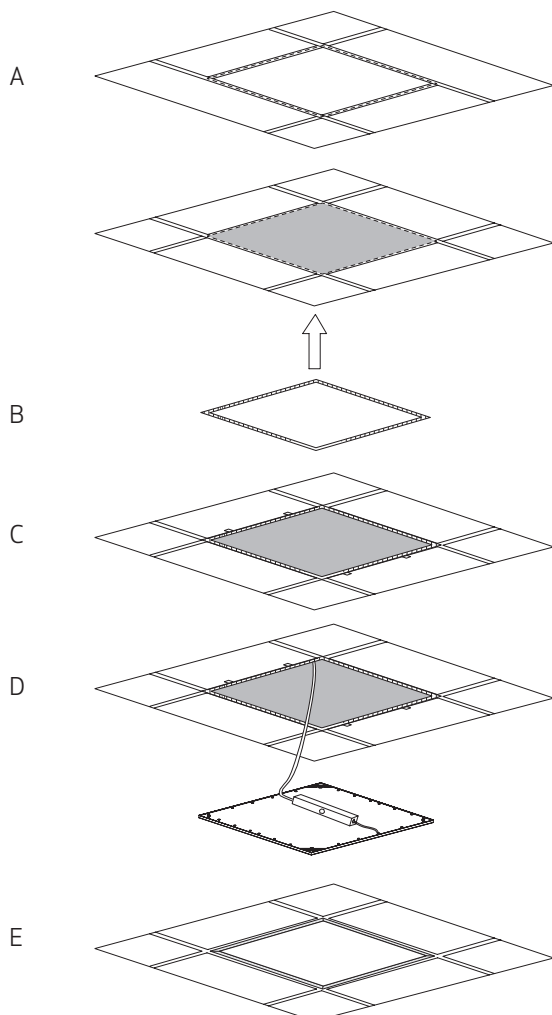


### PLEASE NOTE

- MUST BE INSTALLED BY A LICENCED ELECTRICIAN
- Do not extend low voltage cables from the output of power supply
- All components must not be mechanically stressed
- Follow all relevant electrical and safety standards (including AS3000)
- Damage by corrosion will not be honoured as a materials defect claim. It is the user's responsibility to provide suitable protection against corrosive agents such as moisture, condensation and other harmful elements
- For indoor use only, not to be covered or abutted
- Do not touch luminaire with a wet hand or cloth
- Before commencing installation or maintenance, ensure electricity is switched off at the mains
- Plug the driver into a socket outlet or wire up the driver according to terminals
- If the external flexible cable, cord or light source is damaged, it shall be exclusively replaced by the manufacturer or his service agent or a similar qualified person in order to avoid hazard

### Recessed kit installation

1. Mark and cut out ceiling according to frame dimensions (A)
2. Push the recessed frame into the cut out (B)
3. Fix the frame with provided clips (C)
4. Connect the LED panel to the driver and plug it in the socket (D)
5. Put the LED panel light into the recessed frame test for safety and operation (E)



### Warranty disclaimer cont.

#### M-ELEC TRANSFORMERS/DRIVERS

M-Elec provides warranty against defects of M-Elec drivers on the following terms and conditions. Please refer to the M-Elec website (below) for information on the warranty period of each product.

The driver must be properly installed by a qualified electrician and in accordance with our installation guidelines and any relevant codes and standards.

**The warranty does not apply to M-Elec drivers that fail as a result of neglect, mistake, misuse, alteration, exposure to the elements, or that is improperly installed and implemented.** This includes but is not limited to: improper wiring, installation under improper and non-approved operating environments such as temperature, humidity, corrosion or voltage conditions; improper installation using components that are not approved or are not M-Elec manufactured products.

It is the responsibility of the purchaser to obtain all necessary approvals and to understand the products intended use and all relevant instructions, recommendations and guidelines for the proper installation and use of any M-Elec driver product and related 'manufactured products' used in conjunction with same.

M-Elec is not liable for the accuracy and completeness of any statements, technical information and recommendations in any form of product literature or instructions are not guaranteed and are not part of this warranty and does not in any way constitute a warranty. The purchaser is solely responsible for determining suitability of the M-Elec drivers for installation and full implementation must determine potential applications and installations independently.

To make a claim on this warranty, you must do so within the warranty period (from place of purchase) please read our returns policy for further information (<https://melec.com.au/returns-policy/>) and deliver the driver to M-Elec (at your cost) at the address listed on website. We will assess the warranty claim and if we grant the warranty claim, we will replace the product or refund your money, at our election.

**M-Elec is not responsible or liable for any injuries, damages, or death caused by the use, misuse or failure of products purchased from us.** This warranty is in addition to any other rights the consumer may have under the Australian Consumer Law.

#### M-ELEC LED PRODUCTS - OTHER

Please refer to the M-Elec website ([melec.com.au](https://melec.com.au)) for information on the warranty period of each product. Each of our LED product warranties is separate and subject to the following terms and conditions: M-Elec products must be properly installed by a qualified electrician and in accordance with any relevant guidelines, codes and standards. This includes wiring and connection to proper approved components and product working environments.

**This warranty is void and does not apply to products that fail as a result of neglect, mistake misuse, alteration, or that is improperly installed and implemented.** This includes but is not limited to: improper wiring, installation under improper and non-approved operating environments such as temperature, humidity, corrosion or voltage conditions; improper installation using components that are not approved or are not M-Elec manufactured products.

It is the responsibility of the purchaser to obtain all necessary approvals and to understand the products intended use and all relevant instructions, recommendations and guidelines for the proper installation and use of any M-Elec products and related 'manufactured products' used in conjunction with same.

M-Elec is not liable for the accuracy and completeness of any statements, technical information and recommendations in any form of product literature or instructions are not guaranteed and are not part of this warranty and does not in any way constitute a warranty. The purchaser is solely responsible for determining suitability of the M-Elec LED products for installation and full implementation must determine potential applications and installations independently.

The LED product warranties do not cover LEDs that continue to light, but exhibit varying/differing forward voltage drops, light output, or colour/wavelength.

Warranty is void if LEDs are cut in any way (outside of LED strip instructions) or damaged by neglect.

Warranty is void if products have been altered, opened/modified in any way that is outside the bounds of normal electrical work. **Please note:** This does not include removing or hard wiring downlight drivers or the hard wiring of a flex on an M-Elec flood light.

To make a claim on any of M-Elec's products, you must do so within the warranty period (from place of purchase) please read our returns policy for further information (<https://melec.com.au/returns-policy/>) and deliver the product to M-Elec (at your cost) at the address listed online. M-Elec will assess the warranty claim by conducting electrical tests, making sure the contacts still exist on the LED and visual and microscopic inspection to make sure there is no visible physical damage. If M-Elec grants the warranty claim, we will replace the product or refund your money, at our election.

**M-Elec is not responsible or liable for any injuries, damages, or death caused by the use, misuse or failure of products purchased from us.** This warranty is in addition to any other rights the consumer may have under the Australian Consumer Law.

To the fullest extent permitted by law, no warranties other than those described above are given in respect of M-Elec products. M-Elec's liability is limited, to the fullest extent permitted by law, to the refund or replacement of the M-Elec products. We expressly do not warrant that an M-Elec product will last any particular length of time nor guarantee is made as to fitness to a particular application, since we have no control of the electrical supply or circuits you are using to drive the LEDs.

M-Elec goods come with guarantees that cannot be excluded under the Australian Consumer Law.

**Please read our returns policy procedure for further information on M-Elec website [melec.com.au](https://melec.com.au) or request it via phone 1300 222 445 from our customer care consultants.**

# MR Panel range - surface mounted kit installation guide

ML-MRPSMT6X6 - Suits 6x6 MR panels  
ML-MRPSMT12X3 - Suits 12x3 MR panels  
ML-MRPSMT12X6 - Suits 12x6 MR panels

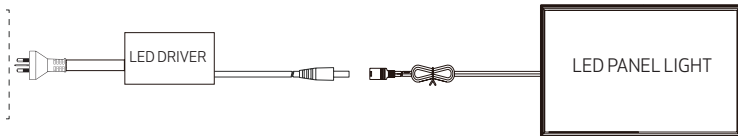


## Installation instructions



**PLEASE FOLLOW INSTRUCTIONS FOR CORRECT INSTALLATION:**

AC 220 ~240V  
50-60HZ



## PLEASE NOTE

- MUST BE INSTALLED BY A LICENCED ELECTRICIAN
- Do not extend low voltage cables from the output of power supply
- All components must not be mechanically stressed
- Follow all relevant electrical and safety standards (including AS3000)
- Damage by corrosion will not be honoured as a materials defect claim. It is the user's responsibility to provide suitable protection against corrosive agents such as moisture, condensation and other harmful elements
- For indoor use only, not to be covered or abutted
- Do not touch luminaire with a wet hand or cloth
- Before commencing installation or maintenance, ensure electricity is switched off at the mains
- Plug the driver into a socket outlet or wire up the driver according to terminals
- If the external flexible cable, cord or light source is damaged, it shall be exclusively replaced by the manufacturer or his service agent or a similar qualified person in order to avoid hazard

## Warranty disclaimer cont.

It is the responsibility of the purchaser to obtain all necessary approvals and to understand the products intended use and all relevant instructions, recommendations and guidelines for the proper installation and use of any M-Elec driver product and related 'manufactured products' used in conjunction with same.

M-Elec is not liable for the accuracy and completeness of any statements, technical information and recommendations in any form of product literature or instructions are not guaranteed and are not part of this warranty and does not in any way constitute a warranty. The purchaser is solely responsible for determining suitability of the M-Elec drivers for installation and full implementation must determine potential applications and installations independently.

To make a claim on this warranty, you must do so within the warranty period (from place of purchase) please read our returns policy for further information (<https://melec.com.au/returns-policy/>) and deliver the driver to M-Elec (at your cost) at the address listed on website. We will assess the warranty claim and if we grant the warranty claim, we will replace the product or refund your money, at our election.

**M-Elec is not responsible or liable for any injuries, damages, or death caused by the use, misuse or failure of products purchased from us.** This warranty is in addition to any other rights the consumer may have under the Australian Consumer Law.

## M-ELEC LED PRODUCTS - OTHER

Please refer to the M-Elec website ([melec.com.au](https://melec.com.au)) for information on the warranty period of each product. Each of our LED product warranties is separate and subject to the following terms and conditions: M-Elec products must be properly installed by a qualified electrician and in accordance with any relevant guidelines, codes and standards. This includes wiring and connection to proper approved components and product working environments.

**This warranty is void and does not apply to products that fail as a result of neglect, mistake misuse, alteration, or that is improperly installed and implemented.** This includes but is not limited to: improper wiring, installation under improper and non-approved operating environments such as temperature, humidity, corrosion or voltage conditions; improper installation using components that are not approved or are not M-Elec manufactured products.

It is the responsibility of the purchaser to obtain all necessary approvals and to understand the products intended use and all relevant instructions, recommendations and guidelines for the proper installation and use of any M-Elec products and related 'manufactured products' used in conjunction with same.

M-Elec is not liable for the accuracy and completeness of any statements, technical information and recommendations in any form of product literature or instructions are not guaranteed and are not part of this warranty and does not in any way constitute a warranty. The purchaser is solely responsible for determining suitability of the M-Elec LED products for installation and full implementation must determine potential applications and installations independently.

The LED product warranties do not cover LEDs that continue to light, but exhibit varying/differing forward voltage drops, light output, or colour/wavelength.

Warranty is void if LEDs are cut in any way (outside of LED strip instructions) or damaged by neglect.

Warranty is void if products have been altered, opened/modified in any way that is outside the bounds of normal electrical work. **Please note:** This does not include removing or hard wiring downlight drivers or the hard wiring of a flex on an M-Elec flood light.

To make a claim on any of M-Elec's products, you must do so within the warranty period (from place of purchase) please read our returns policy for further information (<https://melec.com.au/returns-policy/>) and deliver the product to M-Elec (at your cost) at the address listed online. M-Elec will assess the warranty claim by conducting electrical tests, making sure the contacts still exist on the LED and visual and microscopic inspection to make sure there is no visible physical damage. If M-Elec grants the warranty claim, we will replace the product or refund your money, at our election.

**M-Elec is not responsible or liable for any injuries, damages, or death caused by the use, misuse or failure of products purchased from us.** This warranty is in addition to any other rights the consumer may have under the Australian Consumer Law.

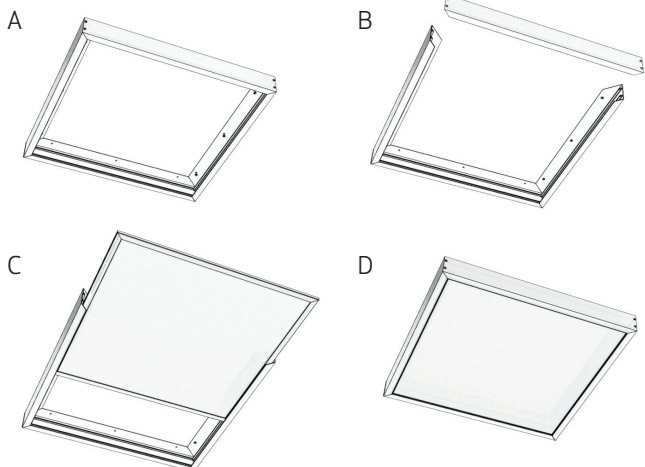
To the fullest extent permitted by law, no warranties other than those described above are given in respect of M-Elec products. M-Elec's liability is limited, to the fullest extent permitted by law, to the refund or replacement of the M-Elec products. We expressly do not warrant that an M-Elec product will last any particular length of time nor guarantee is made as to fitness to a particular application, since we have no control of the electrical supply or circuits you are using to drive the LEDs.

M-Elec goods come with guarantees that cannot be excluded under the Australian Consumer Law.

**Please read our returns policy procedure for further information on M-Elec website [melec.com.au](https://melec.com.au) or request it via phone 1300 222 445 from our customer care consultants.**

## Surface mounted frame kit installation

1. Assemble the frame with all 4 sides
2. Use the frame to mark the ceiling for fixing points (A)
3. Using suitable tools and fixing methods, secure the 3 sides of the frame to the ceiling. NOTE: Leave 1 side unfixd so you can remove it to slide the panel in
4. Unscrew all 4 screws on the unfixd side of the frame and remove the frame panel (B)
5. Plug in the driver to power and slide the LED panel into the frame (C)
6. Re-install the frame side panel using the 4 screws (D)
7. Test for safety and operation



## Warranty disclaimer cont.

### M-ELEC TRANSFORMERS/DRIVERS

M-Elec provides warranty against defects of M-Elec drivers on the following terms and conditions. Please refer to the M-Elec website (below) for information on the warranty period of each product.

The driver must be properly installed by a qualified electrician and in accordance with our installation guidelines and any relevant codes and standards.

**The warranty does not apply to M-Elec drivers that fail as a result of neglect, mistake, misuse, alteration, exposure to the elements, or that is improperly installed and implemented.** This includes but is not limited to: improper wiring, installation under improper and non-approved operating environments such as temperature, humidity, corrosion or voltage conditions; improper installation using components that are not approved or are not M-Elec manufactured products.

# MR Panel range - suspended kit installation guide

ML-MRPSUS1 - Suits 12x3 & 6x3 MR panels  
ML-MRPSUS2 - Suits 6x6 & 12x6 MR panels

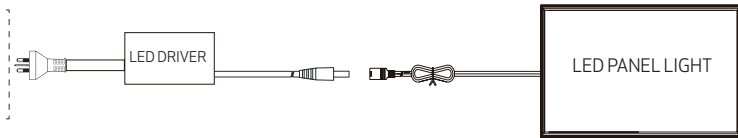


## Installation instructions



**PLEASE FOLLOW INSTRUCTIONS FOR CORRECT INSTALLATION:**

AC 220~240V  
50-60HZ



## PLEASE NOTE

- MUST BE INSTALLED BY A LICENCED ELECTRICIAN
- Do not extend low voltage cables from the output of power supply
- All components must not be mechanically stressed
- Follow all relevant electrical and safety standards (including AS3000)
- Damage by corrosion will not be honoured as a materials defect claim. It is the user's responsibility to provide suitable protection against corrosive agents such as moisture, condensation and other harmful elements
- For indoor use only, not to be covered or abutted
- Do not touch luminaire with a wet hand or cloth
- Before commencing installation or maintenance, ensure electricity is switched off at the mains
- Plug the driver into a socket outlet or wire up the driver according to terminals
- If the external flexible cable, cord or light source is damaged, it shall be exclusively replaced by the manufacturer or his service agent or a similar qualified person in order to avoid hazard

## Warranty disclaimer

### M-ELEC TRANSFORMERS/DRIVERS

M-Elec provides warranty against defects of M-Elec drivers on the following terms and conditions. Please refer to the M-Elec website (below) for information on the warranty period of each product. The driver must be properly installed by a qualified electrician and in accordance with our installation guidelines and any relevant codes and standards.

The warranty does not apply to M-Elec drivers that fail as a result of neglect, mistake, misuse, alteration, exposure to the elements, or that is improperly installed and implemented. This includes but is not limited to: improper wiring, installation under improper and non-approved operating environments such as temperature, humidity, corrosion or voltage conditions; improper installation using components that are not approved or are not M-Elec manufactured products.

It is the responsibility of the purchaser to obtain all necessary approvals and to understand the products intended use and all relevant instructions, recommendations and guidelines for the proper installation and use of any M-Elec driver product and related 'manufactured products' used in conjunction with same.

M-Elec is not liable for the accuracy and completeness of any statements, technical information and recommendations in any form of product literature or instructions are not guaranteed and are not part of this warranty and does not in any way constitute a warranty. The purchaser is solely responsible for determining suitability of the M-Elec drivers for installation and full implementation must determine potential applications and installations independently.

To make a claim on this warranty, you must do so within the warranty period (from place of purchase) please read our returns policy for further information (<https://melec.com.au/returns-policy/>) and deliver the driver to M-Elec (at your cost) at the address listed on website. We will assess the warranty claim and if we grant the warranty claim, we will replace the product or refund your money, at our election.

**M-Elec is not responsible or liable for any injuries, damages, or death caused by the use, misuse or failure of products purchased from us.** This warranty is in addition to any other rights the consumer may have under the Australian Consumer Law.

### M-ELEC LED PRODUCTS - OTHER

Please refer to the M-Elec website ([melec.com.au](https://melec.com.au)) for information on the warranty period of each product. Each of our LED product warranties is separate and subject to the following terms and conditions:

M-Elec products must be properly installed by a qualified electrician and in accordance with any relevant guidelines, codes and standards. This includes wiring and connection to proper approved components and product working environments.

**This warranty is void and does not apply to products that fail as a result of neglect, mistake misuse, alteration, or that is improperly installed and implemented.** This includes but is not limited to: improper wiring, installation under improper and non-approved operating environments such as temperature, humidity, corrosion or voltage conditions; improper installation using components that are not approved or are not M-Elec manufactured products.

It is the responsibility of the purchaser to obtain all necessary approvals and to understand the products intended use and all relevant instructions, recommendations and guidelines for the proper installation and use of any M-Elec products and related 'manufactured products' used in conjunction with same.

M-Elec is not liable for the accuracy and completeness of any statements, technical information and recommendations in any form of product literature or instructions are not guaranteed and are not part of this warranty and does not in any way constitute a warranty. The purchaser is solely responsible for determining suitability of the M-Elec LED products for installation and full implementation must determine potential applications and installations independently.

The LED product warranties do not cover LEDs that continue to light, but exhibit varying/differing forward voltage drops, light output, or colour/wavelength. Warranty is void if LEDs are cut in any way (outside of LED strip instructions) or damaged by neglect.

Warranty is void if products have been altered, opened/modified in any way that is outside the bounds of normal electrical work. **Please note:** This does not include removing or hard wiring downlight drivers or the hard wiring of a flex on an M-Elec flood light.

To make a claim on any of M-Elec's products, you must do so within the warranty period (from place of purchase) please read our returns policy for further information (<https://melec.com.au/returns-policy/>) and deliver the product to M-Elec (at your cost) at the address listed online. M-Elec will assess the warranty claim by conducting electrical tests, making sure the contacts still exist on the LED and visual and microscopic inspection to make sure there is no visible physical damage. If M-Elec grants the warranty claim, we will replace the product or refund your money, at our election.

**M-Elec is not responsible or liable for any injuries, damages, or death caused by the use, misuse or failure of products purchased from us.** This warranty is in addition to any other rights the consumer may have under the Australian Consumer Law.

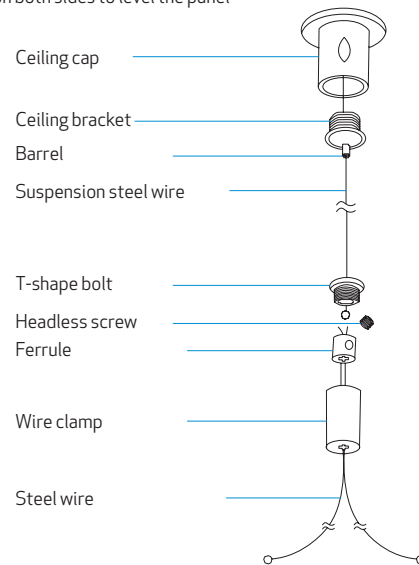
To the fullest extent permitted by law, no warranties other than those described above are given in respect of M-Elec products. M-Elec's liability is limited, to the fullest extent permitted by law, to the refund or replacement of the M-Elec products. We expressly do not warrant that an M-Elec product will last any particular length of time nor guarantee is made as to fitness to a particular application, since we have no control of the electrical supply or circuits you are using to drive the LEDs.

M-Elec goods come with guarantees that cannot be excluded under the Australian Consumer Law.

Please read our returns policy procedure for further information on M-Elec website [melec.com.au](https://melec.com.au) or request it via phone 1300 222 445 from our customer care consultants.

## Suspended kit installation

1. Mark the ceiling and fix suspension ceiling caps into the ceiling (A)
2. Attach steel wire to the corner tabs on the LED panel, feed them through the wire clamp and secure with headless screw into the ferrule (B)
3. Thread suspension steel wire through T-shape bolt, feed the other end through ceiling bracket, screw the ceiling brackets into the ceiling caps (C)
4. By pushing on the barrel of the ceiling bracket, raise or lower the suspension wire on both sides to level the panel



Exploded drawing of suspension kit

