

# NOX40V2

ML-NOX40V2



## 400 Watt LED floodlight with offset bracket

Product code/Category

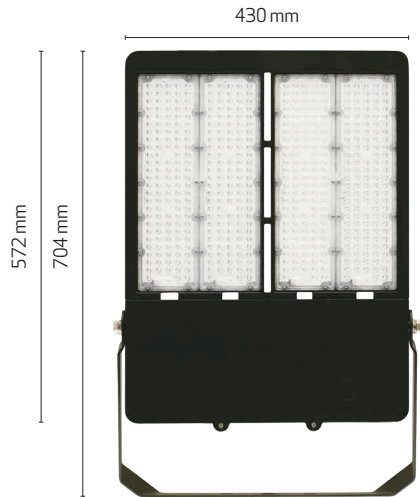
ML-NOX40V2 / Floodlights

Product information

The NOX40V2 floodlight is our latest development of this iconic LED floodlight range. Featuring an ultra-efficient offset bracket that installers demand, super slim body and illumination specifications that lead the category, NOXV2 is the brightest choice by far. Supported by a M-Elec 3 year warranty (+2 years for PLI-lodge online).



<b>Total power consumed:</b>	400W*
<b>Lumen output:</b>	48800lm (WW)   50600lm (W)
<b>Colour temperature:</b>	3000K (WW)   5700K (W)
<b>IP rating:</b>	IP65
<b>Impact rating:</b>	IK08
<b>CRI:</b>	71+
<b>Max. projected area:</b>	250m <sup>2</sup>
<b>Max. mounting height:</b>	35m
<b>Efficacy:</b>	123-131lm/W
<b>Beam angle:</b>	120 x 90 degrees
<b>Dimmable:</b>	Yes (0-10V)
<b>Power supply:</b>	200-240V AC 50/60Hz
<b>Average life:</b>	50,000hrs**
<b>Dimensions:</b>	Width 430mm   Height 572mm (704mm)   Depth 82mm
<b>Weight:</b>	12.9kg
<b>Construction:</b>	Aluminium body, PC lens
<b>Kit includes:</b>	1 x LED floodlight, flex & plug
<b>Compliance:</b>	AS/NZS 60598.1, AS/NZS 60598.2.5



\*Total power consumed including driver

\*\*Average life is calculated on expected average lifespan



3 YEAR WARRANTY + 2 PLI

5

# NOX40V2

ML-NOX40V2

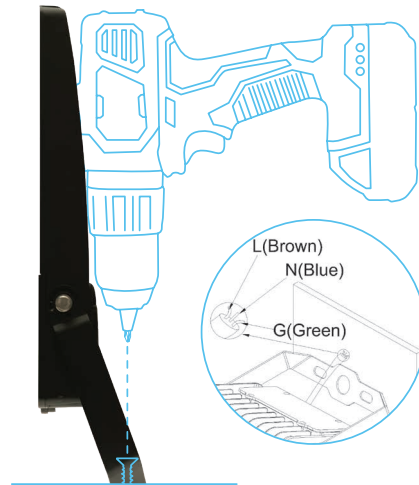
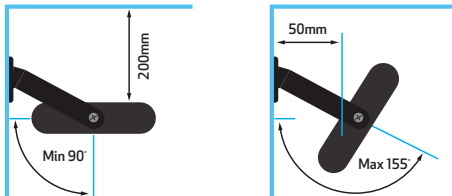


## Installation instructions



### PLEASE FOLLOW INSTRUCTIONS FOR CORRECT INSTALLATION:

1. Do not remove any part of the fitting
2. Install fitting using correct equipment and components (eg. expansion bolts for masonry)
3. Either plug unit in to the power outlet with pre-wired plug or connect wires directly in suitable enclosure



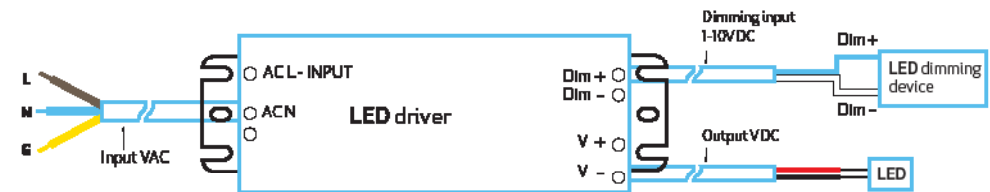
## PLEASE NOTE!

- Read instructions carefully before attempting to install the fitting. Retain this guide for future reference
- Disconnect power before installing or servicing
- This fitting is for outdoor use and should not be used in areas with limited ventilation or high ambient temperatures
- Do not extend low voltage cables from the output of power supply
- All components must not be mechanically stressed
- Be careful not to damage or destroy conductive paths on the circuit board
- Follow all relevant electrical and safety standards (including AS3000)
- Correct electrical polarity must be observed as the wrong polarity may destroy the product and is not covered under warranty
- Damage by corrosion will not be honoured as a material defect claim. It is the user's responsibility to provide suitable protection against corrosive agents such as moisture, condensation and other harmful elements
- If the external flexible cable, cord or light source of this luminaire is damaged, it shall be exclusively replaced by the manufacture or a similar qualified person in order to avoid a hazard

## Dimming connections

Please NOTE: Do not connect anything other than a 0-10V dimmer or control system or this product warranty will be void

1. Open the back of the light fitting
2. Safely and securely install your 0-10V cable into the NOXV2 and ensure you use suitable sealant/glands to keep the IP rating
3. Safely join the input positive (+) and negative (-) 0-10V cable to the dim+ (purple or blue) & dim- (grey or white) 0-10V input on the driver
4. Refix the back plate and ensure all seals are secure. Water penetration from a failure to seal the fitting properly will not be covered under warranty





Due to our policy of continuous product improvement, we reserve the right to discontinue or update product specifications or designs at any time without notice. Please visit [www.melec.com.au](http://www.melec.com.au) for the latest information on our products.