

Stitchy switch

ML-ST-R200



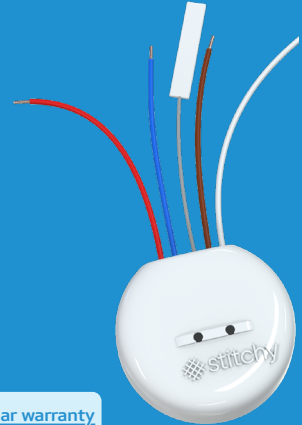
200W relay module, standard switch compatible, ZigBee enabled single channel unit

Product code/Category

ML-ST-R200/Electrical Accessories

Product information

Designed to be installed behind your standard switch Stitchy puts the S into 'smart lighting'. Offering unparalleled control from your conventional switch coupled with voice control from Alexa, HomeKit or Google home plus app control should you feel the need. Stitchy is easy to install, setup and turn any conventional home into a efficient voice controlled powerhouse. Running on ZigBee, Stitchy will work with thousands of other smart products in the market to bring efficiency and impressive automation into your life. This relay module can control up to 200W of LED load (400W incandescent) and offers easy setup. Head to melec.com/stitchy for all instructions, video's and specifications.



Technical information

Input Voltage: 100-240VAC

Output Voltage: 100-240VAC

Output Current: 1.5A

Output Channels: 1 - up to 400W

IP rating: IP20

Size: L 45.5mm | W 45mm | H 20.3mm

ZigBee protocol: 3.0 protocol

IMPORTANT:

- DO NOT install with power applied to device.
- DO NOT expose the device to moisture
- Wire according to connection diagram correctly.
- This ZigBee device is a wireless receiver that communicates with a variety of ZigBee compatible systems. It receives and is controlled by wireless radio signals from the compatible ZigBee system

Features & Benefits

- **Alexa, Google home and Apple HomeKit compatible***
- **Standard switch compatible**
- **Simple to commission**
- Enables ON/OFF control of connected load
- Can directly pair to a compatible ZigBee remote without coordinator
- Supports self-forming ZigBee network
- Supports find and bind mode to bind a ZigBee remote
- Supports ZigBee and can bind max. 20 ZigBee remotes
- Compatible with universal ZigBee gateway products

*Stitchy uses Hue Hub to make connections to any device that does not have a suitable ZigBee controller built in
NB: All information provided is subject to change

Stitchy switch

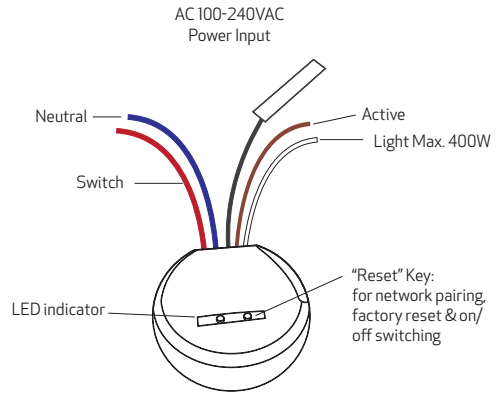
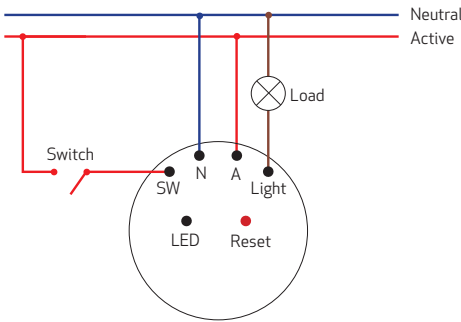
ML-ST-R200



[Stitchy wiring diagram & instructions](#)

FOR ALL INSTRUCTIONS PLEASE VISIT

melec.com.au/stitchy/ and click on the module for more information, or scan this QR code with your smart phone.



PLEASE NOTE!

MUST BE INSTALLED BY LICENSED ELECTRICIAN

- All components must not be mechanically stressed.
- Be careful not to damage or destroy conducting paths on the circuit board.
- Follow all relevant electrical and safety standards (including AS3000) – only qualified personnel should be allowed to perform installations.
- Damage by corrosion will not be honoured as a material defect claim. It is the user's responsibility to provide suitable protection against corrosive agents such as moisture, condensation and other harmful elements.
- If these regulations are not followed warranty will be void and all issues are the responsibility of the installer.

For further information please visit www.melec.com.au

Warranty disclaimer

M-ELEC TRANSFORMERS/DRIVERS

M-Elec provides warranty against defects of **M-Elec drivers** on the following terms and conditions. Please refer to the M-Elec website (below) for information on the warranty period of each product.

The driver must be properly installed by a qualified electrician and in accordance with our installation guidelines and any relevant codes and standards.

The warranty does not apply to M-Elec drivers that fail as a result of neglect, mistake, misuse, alteration, exposure to the elements, or that is improperly installed and implemented. This includes but is not limited to: improper wiring, installation under improper and non-approved operating environments such as temperature, humidity, corrosion or voltage conditions; improper installation using components that are not approved or are not M-Elec manufactured products.

It is the responsibility of the purchaser to obtain all necessary approvals and to understand the products intended use and all relevant instructions, recommendations and guidelines for the proper installation and use of any M-Elec driver product and related 'manufactured products' used in conjunction with same.

M-Elec is not liable for the accuracy and completeness of any statements, technical information and recommendations in any form of product literature or instructions are not guaranteed and are not part of this warranty and does not in any way constitute a warranty. The purchaser is solely responsible for determining suitability of the M-Elec drivers for installation and full implementation must determine potential applications and installations independently.

To make a claim on this warranty, you must do so within the warranty period (from place of purchase) please read our returns policy for further information (<https://melec.com.au/returns-policy/>) and deliver the driver to M-Elec (at your cost) at the address listed on website. We will assess the warranty claim and if we grant the warranty claim, we will replace the product or refund your money, at our election.

M-Elec is not responsible or liable for any injuries, damages, or death caused by the use, misuse or failure of products purchased from us. This warranty is in addition to any other rights the consumer may have under the Australian Consumer Law.

M-ELEC LED PRODUCTS - OTHER

Please refer to the M-Elec website (melec.com.au) for information on the warranty period of each product. Each of our LED product warranties is separate and subject to the following terms and conditions:

M-Elec products must be properly installed by a qualified electrician and in accordance with any relevant guidelines, codes and standards. This includes wiring and connection to proper approved components and product working environments.

This warranty is void and does not apply to products that fail as a result of neglect, mistake misuse, alteration, or that is improperly installed and implemented. This includes but is not limited to: improper wiring, installation under improper and non-approved

operating environments such as temperature, humidity, corrosion or voltage conditions; improper installation using components that are not approved or are not M-Elec manufactured products.

It is the responsibility of the purchaser to obtain all necessary approvals and to understand the products intended use and all relevant instructions, recommendations and guidelines for the proper installation and use of any M-Elec products and related 'manufactured products' used in conjunction with same.

M-Elec is not liable for the accuracy and completeness of any statements, technical information and recommendations in any form of product literature or instructions are not guaranteed and are not part of this warranty and does not in any way constitute a warranty. The purchaser is solely responsible for determining suitability of the M-Elec LED products for installation and full implementation must determine potential applications and installations independently.

The LED product warranties do not cover LEDs that continue to light, but exhibit varying/differing forward voltage drops, light output, or colour/wavelength.

Warranty is void if LEDs are cut in any way (outside of LED strip instructions) or damaged by neglect.

Warranty is void if products have been altered, opened/modified in any way that is outside the bounds of normal electrical work. **Please note:** This does not include removing or hard wiring downlight drivers or the hard wiring of a flex on an M-Elec flood light.

To make a claim on any of M-Elec's products, you must do so within the warranty period (from place of purchase) please read our returns policy for further information (<https://melec.com.au/returns-policy/>) and deliver the product to M-Elec (at your cost) at the address listed online. M-Elec will assess the warranty claim by conducting electrical tests, making sure the contacts still exist on the LED and visual and microscopic inspection to make sure there is no visible physical damage. If M-Elec grants the warranty claim, we will replace the product or refund your money, at our election.

M-Elec is not responsible or liable for any injuries, damages, or death caused by the use, misuse or failure of products purchased from us. This warranty is in addition to any other rights the consumer may have under the Australian Consumer Law.

To the fullest extent permitted by law, no warranties other than those described above are given in respect of M-Elec products. M-Elec's liability is limited, to the fullest extent permitted by law, to the refund or replacement of the M-Elec products. We expressly do not warrant that an M-Elec product will last any particular length of time nor guarantee is made as to fitness to a particular application, since we have no control of the electrical supply or circuits you are using to drive the LEDs.

M-Elec goods come with guarantees that cannot be excluded under the Australian Consumer Law.

Please read our returns policy procedure for further information on M-Elec website melec.com.au or request it via phone 1300 222 445 from our customer care consultants.

Due to our policy of continuous product improvement, we reserve the right to discontinue or update product specifications or designs at any time without notice. Please visit www.melec.com.au for the latest information on our products

