



LOX STRONG QUICK SNAP
CONNECTORS





Fast & easy snap
install

Same price as
standard connectors

Fits up to 4mm
cable

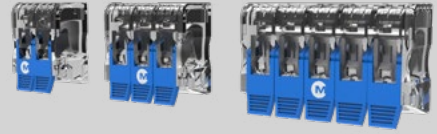
Maintenance free
connections



**STRONG QUICK SNAP
CONNECTORS**

Product information

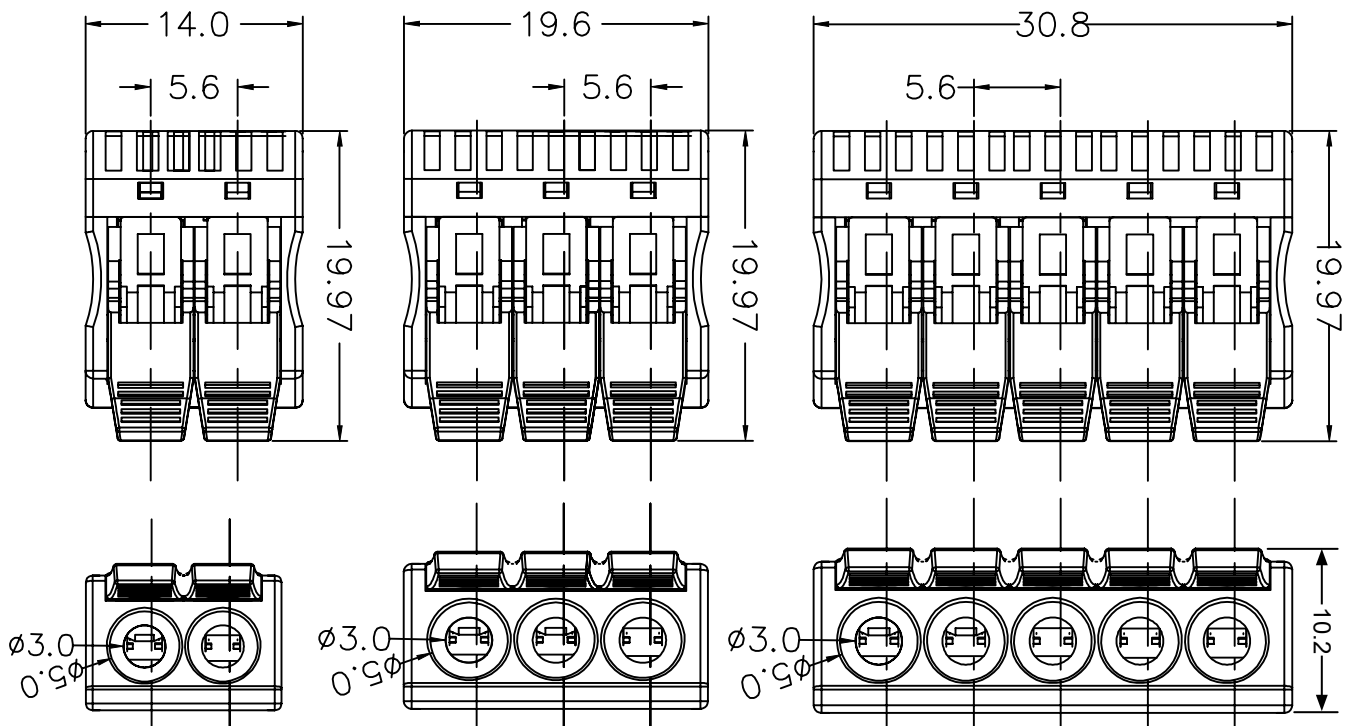
- Same price as standard connections
- Maintenance Free connections
- Fast & easy snap install
- Fits up to 4mm² cable



TECHNICAL INFORMATION

Data subject to change, please visit our website for upto date specifications: melec.com.au

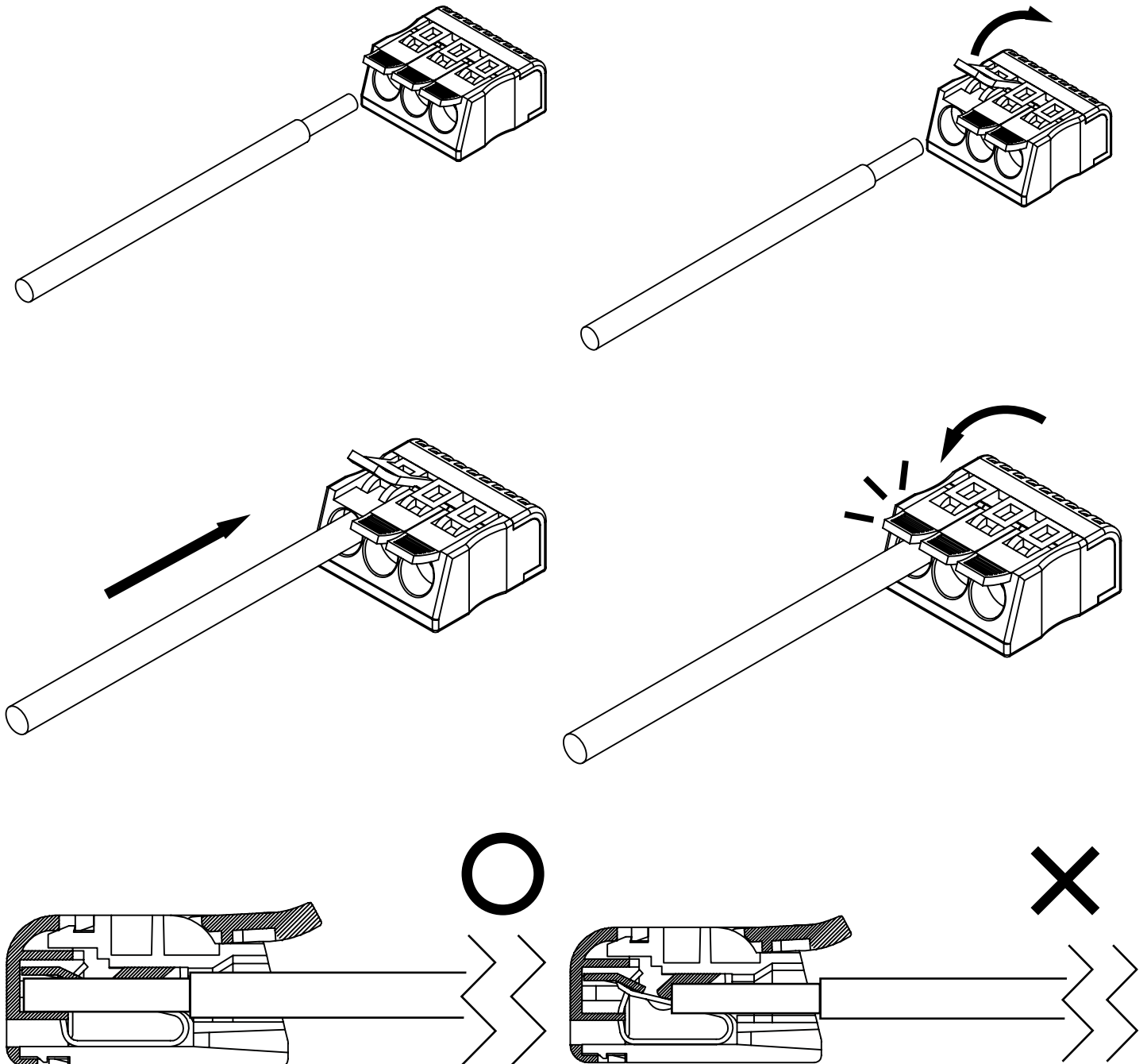
	ML-LOX-4-2J (BAG OF 10) ML-LOX-4-2J-100 (BAG OF 100)	ML-LOX-4-3J (BAG OF 10) ML-LOX-4-3J-100 (BAG OF 100)	ML-LOX-4-5J (BAG OF 10) ML-LOX-4-5J-100 (BAG OF 100)
Solid conductor	0.2-4mm ² / 24-12AWG		
Stranded conductor	0.2-4mm ² / 24-12AWG		
Fine stranded conductor	0.14-4mm ² / 24-12AWG		
Strip length	11mm		
Voltage	240V		
Current	20A		
Temperature range	(-40°C~+105°C)		
Dimensions:	19.97x14x10.42mm	19.97x19.6x10.42mm	19.97x30.8x10.42mm
Weight:	0.002kg	0.003kg	0.0046kg
Warranty:	3 Years		



INSTALLATION GUIDE

1. Strip the wire back by 11mm.
2. Lift up the lever of the LOX connector to open the port.
3. Insert the wire ensuring that it is pushed all the way in.
4. After the wire is inserted, push the lever back down. Repeat steps 1 to 3 for additional connections. To remove the wire push the lever up and pull the wire back out.

PLEASE NOTE: ENSURE THAT THE CABLE IS PUSHED ALL THE WAY INTO THE CONNECTOR FOR A PROPER AND SECURE CONNECTION



FREE
ONSITE WARRANTY

EXCLUSIVE TO
MEMBERS ONLY



FREE ONSITE WARRANTY FOR 3 YEARS
INCLUDES PARTS & LABOUR

In conjunction with your standard product warranty