



Available in black or white



8W DOWN ONLY

MR WALL LIGHT

15W UP & DOWN



FAST
INSTALL



DIMMER
COMPATIBLE



20mm
DUAL ENTRY



IP65
RATED

Wall up and down lights

Product information

Robust aluminium housing with slip fit base makes installation fast and easy. Dual rear entry allows easy loop in/loop out. Down only and up / down combinations available in both black and white housings. Dimmable and 3CCT selectable to suit a wide range of installation applications.



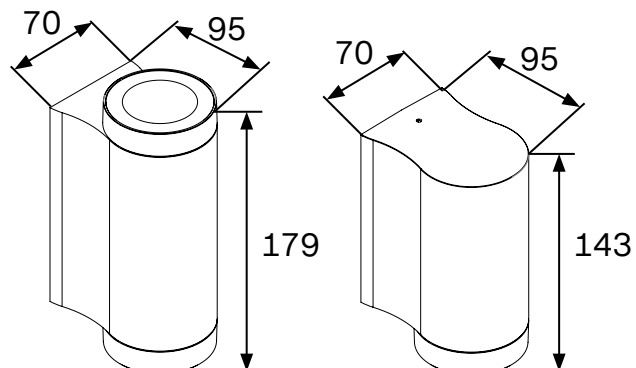
TECHNICAL INFORMATION

Data subject to change, please visit our website for up to date specifications: melec.com.au

	ML-MRWL-D-8-B	ML-MRWL-D-8-W	ML-MRWL-UD-15-B	ML-MRWL-UD-15-W
Total Power	8W*		15W	
Lumen Output:	WW 650LM NW 750LM W 700LM		WW 1400LM NW 1650LM W 1500LM	
Colour Temp:	3000K (WW) 4000K (NW) 5700K (W)			
IP Rating:	IP65			
IK Rating:	IK06			
CRI:	80			
Efficacy:	WW 80LM/W NW 100LM/W W 85LM/W		WW 90LM/W NW 110LM/W W 95LM/W	
Beam Angle:	45°			
Input Current	0.05A		0.09A	
Inrush Current	1.6A@240VAC		2.2A@240VAC	
Dimmable:	Triac dimmable			
Power Supply:	AC220 - 240V, built-in driver, non-isolated			
Power Factor	0.9			
Frequency	50Hz			
Average Life:	50,000hrs**			
Dimensions :	143x70x95mm		179x70x95mm	
Weight	0.77kg		0.91kg	
Operating Temp	-20°C to 45°C			
Compliance	SAA, C-TICK			
Connection	PA12 Terminal block			
LED Chip Brand	2835 SMD			
Materials:	ADC12 Aluminium housing, PC difuser			
Warranty :	5 YEARS			

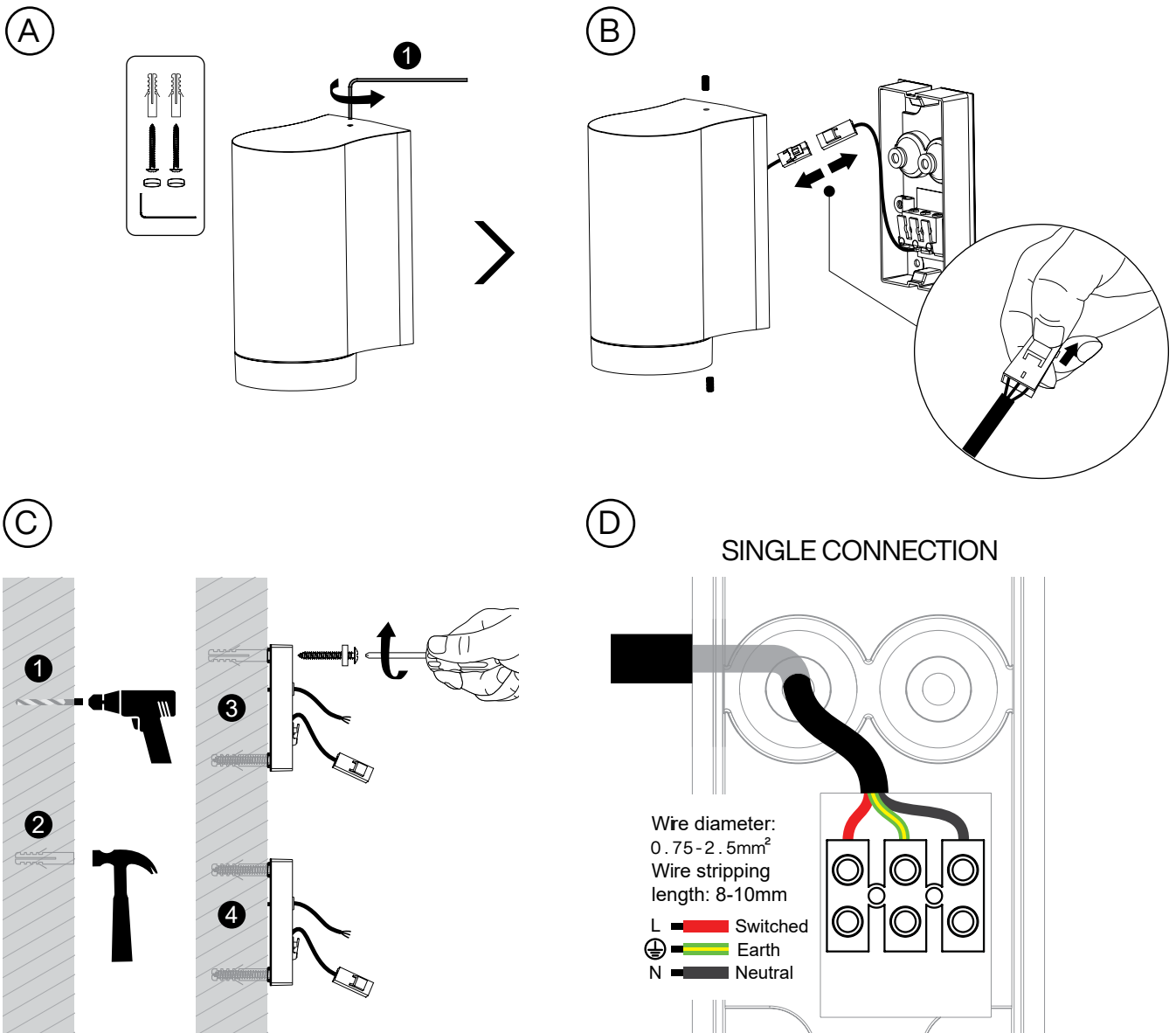
*Total power consumed including driver

** Average life is calculated on expected average lifespan



INSTALLATION GUIDE

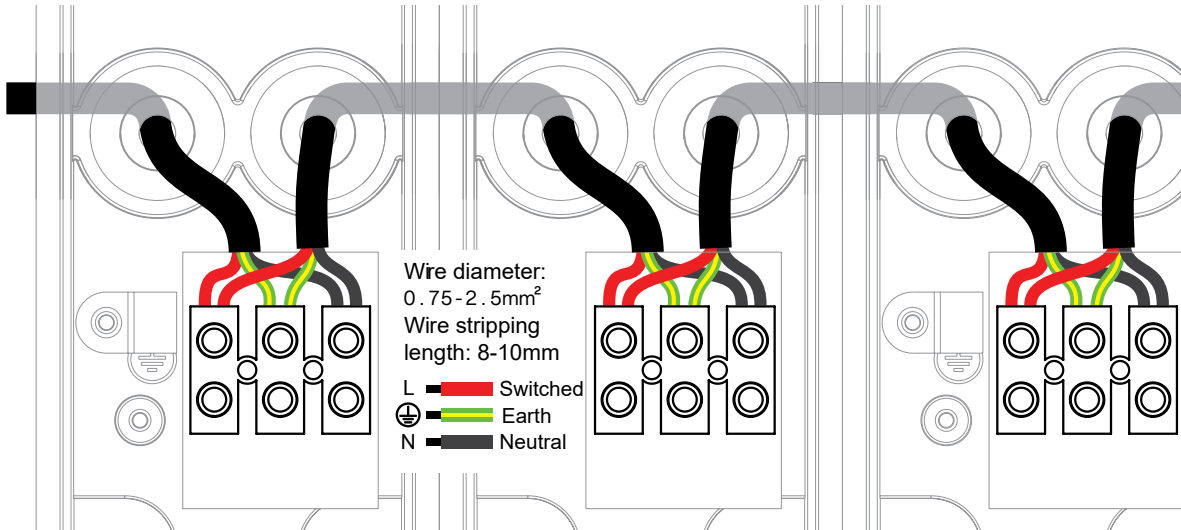
1. Ensure all power is off before beginning installation.
2. Remove the base plate by unscrewing the two hex head screws securing the base. (A)
3. Disconnect the LED and the base by unplugging the connection wire. (B)
4. Place the base against the wall/ceiling and fix securely using suitable screws/fixing methods. (C)
5. Wire up the PA12 terminal block according to the L/E/N marks. (D)
6. Select correct output colour on the colour selection switch. (E)
7. Reconnect the LED and base wires. (E - 1)
8. Seal any holes to maintain ingress protection.
9. Reinstall the LED by placing it onto the base and securing it with it's screws, ensuring that the gasket is properly mated with the base (E - 2, 3)
10. Test the safety and operation in accordance with all standards.



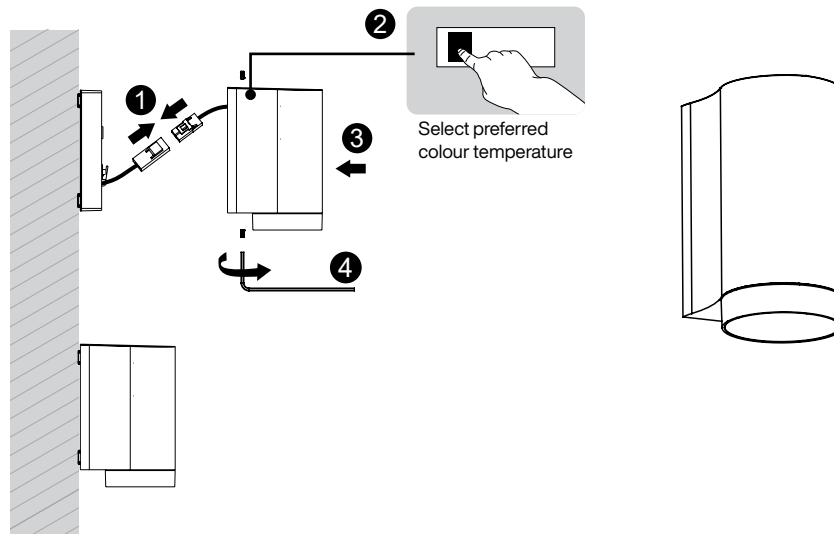
INSTALLATION GUIDE

(D)

IN - SERIES CONNECTION



(E)



PLEASE NOTE

MUST BE INSTALLED BY A LICENSED ELECTRICIAN

- Read instructions carefully before attempting to install the fitting. Retain this guide for future reference
- Disconnect power before installing or servicing
- This fitting is for outdoor use and should not be used in areas with limited ventilation or high ambient temperatures
- Do not extend low voltage cables from the output of power supply
- All components must not be mechanically stressed
- Be careful not to damage or destroy conductive paths on the circuit board
- Follow all relevant electrical and safety standards (including AS3000)
- Correct electrical polarity must be observed as the wrong polarity may destroy the product and is not covered under warranty
- Damage by corrosion will not be honoured as a material defect claim. It is the user's responsibility to provide suitable protection against corrosive agents such as moisture, condensation and other harmful elements

FREE
ONSITE WARRANTY

EXCLUSIVE TO
MEMBERS ONLY



**FREE ONSITE WARRANTY FOR 3 YEARS
INCLUDES PARTS & LABOUR**

In conjunction with your standard product warranty