

# TITAN X4 Battens

## Weather Protected Multi LED Battens



### Product information

The TITAN X4 meets the electricians demands with a MULTI output, wide body, multiple back entry points and vandal guard clips. The TITANX4 comes with a large range of variants including emergency, microwave sensor and a combination model sensor and emergency. 20W/40W Yellow and Green versions are non-stocked items but available for projects.

With the gear tray holding all components, having a large terminal block and Tridonic driver the 4th series of the TITAN range will ensure efficient installation and is covered with a 5 year warranty (1 year on the emergency battery).

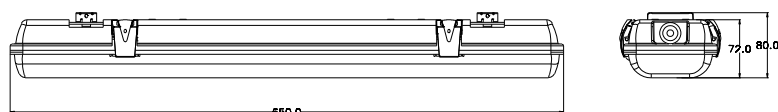


1 year for EM battery

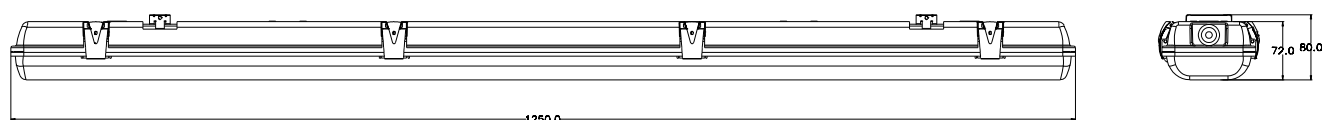
### TECHNICAL INFORMATION

	ML-TN20X4-M	ML-TN20X4-M-SN	ML-TN20X4-M-EM	ML-TN40X4-M	ML-TN40X4-M-SN	ML-TN40X4-M-EM	ML-TN40X4-M-SE
<b>Total power</b>	20W*	20W*	20W*	40W*	40W*	40W*	40W*
<b>Lumen output:</b>	WW 2000lm NW 2400lm W2180lm	WW 2000lm NW 2400lm W2180lm	WW 2000lm NW 2400lm W2180lm	WW 4000lm NW 5040lm W4520lm	WW 4000lm NW 5040lm W4520lm	WW 4000lm NW 5040lm W4520lm	WW 4000lm NW 5040lm W4520lm
<b>Colour Temp:</b>	WW 3000K NW 4000K W 6000K	WW 3000K NW 4000K W 6000K	WW 3000K NW 4000K W 6000K	WW 3000K NW 4000K W 6000K	WW 3000K NW 4000K W 6000K	WW 3000K NW 4000K W 6000K	WW 3000K NW 4000K W 6000K
<b>IP rating:</b>	IP65	IP65	IP65	IP65	IP65	IP65	IP65
<b>Efficacy:</b>	100-126lm/W	100-126lm/W	100-126lm/W	100-126lm/W	100-126lm/W	100-126lm/W	100-126lm/W
<b>CRI:</b>	80	80	80	80	80	80	80
<b>Beam angle:</b>	120°	120°	120°	120°	120°	120°	120°
<b>Dimmable:</b>	No	No	No	No	No	No	No
<b>Power supply:</b>	220 - 240V 50/60Hz, U - OUT=60V, Tridonic Driver	220 - 240V 50/60Hz, U - OUT=60V, Tridonic Driver	220-240V 50/60Hz, U-OUT=60V, Tridonic Driver	220-240V 50/60Hz, U-OUT=60V, Tridonic Driver	220-240V 50/60Hz, U-OUT=60V, Tridonic Driver	220-240V 50/60Hz, U-OUT=60V, Tridonic Driver	220-240V 50/60Hz, U-OUT=60V, Tridonic Driver
<b>Average life:</b>	50,000 hrs**	50,000 hrs**	50,000 hrs**	50,000 hrs**	50,000 hrs**	50,000 hrs**	50,000 hrs**
<b>Materials:</b>	PC Body +OPAL PC Cove	PC Body +OPAL PC Cove	PC Body +OPAL PC Cove	PC Body +OPAL PC Cove	PC Body +OPAL PC Cove	PC Body +OPAL PC Cove	PC Body +OPAL PC Cove
<b>Operating Temp:</b>	-20° to +50°C	-20° to +50°C	-20° to +50°C	-20° to +50°C	-20° to +50°C	-20° to +50°C	-20° to +50°C
<b>IK rating:</b>	IK10	IK10	IK10	IK10	IK10	IK10	IK10
<b>Warranty:</b>	5 years	5 years	5 years (1 year for EM battery)	5 years	5 years	5 years (1 year for EM battery)	5 years (1 year for EM battery)
<b>Size:</b>	650x117x70mm	650x117x70mm	650x117x70mm	1250x117x70mm	1250x117x70mm	1250x117x70mm	1250x117x70mm

#### TITAN X4 20W



#### TITAN X4 40W



\*Total power consumed including driver

\*\* Average life is calculated on expected average lifespan

# TITAN X4 Battens



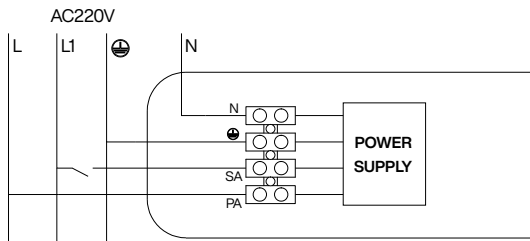
## PLEASE NOTE!

### MUST BE INSTALLED BY LICENSED ELECTRICIAN

- Do not extend low voltage cables from the output of the power supply.
- All components must not be mechanically stressed.
- Be careful not to damage or destroy conducting paths on the circuit board.
- Follow all relevant electrical and safety standards (Including AS3000) – only qualified personnel should be allowed to perform installations.
- Damage by corrosion will not be honoured as a material defect claim. It is the user's responsibility to provide suitable protection against corrosive agents such as moisture, condensation and other harmful elements.
- If these regulations are not followed warranty will be void and all issues are the responsibility of the installer.

For further information please visit [www.melec.com.au](http://www.melec.com.au)

## WIRING DIAGRAM



- L: Emergency power (Permanent Active)  
Must be connected for EM to operate
- L1: Switched / Light input (switched active), loop with L for permanently on. Must be on same phase as L

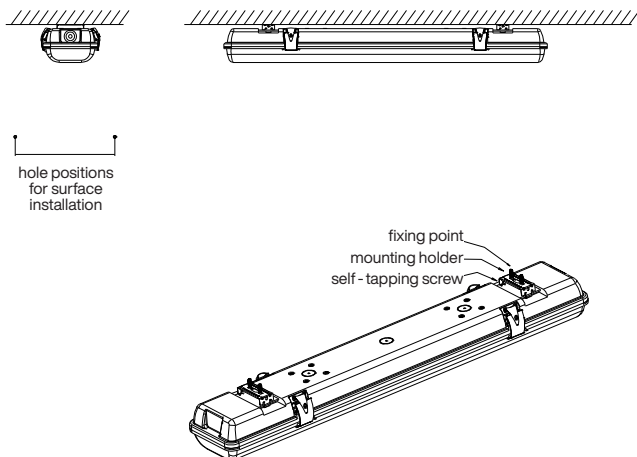
If this fitting has an EM module installed it will require 24hrs for the battery to fully charge. This fitting will run for up to 3 hrs at 3W of power if emergency mode is engaged.

## INSTALLATION INSTRUCTIONS

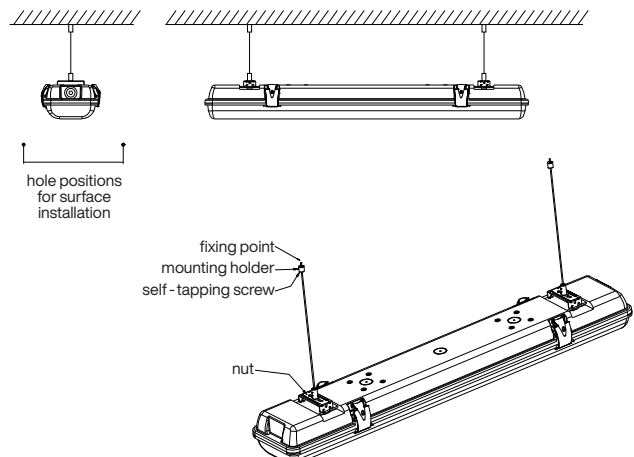
1. Turn power off before commencing installation.
2. Always use suitable fixings for your type of installation.
3. Using the spacing guides listed below, install the fixing clamp on the location where the TITAN is to be installed (surface mounted or suspended). Alternatively fix directly through the back of the unit but be sure to seal all penetrations to prevent water damage.
4. When running cables into the fitting ensure you use a suitable sealant to prevent any future water penetration.
5. Wire TITAN according to the labels on the terminal.
6. Install base onto clamps or mount directly to surface in any installation exposed to extreme environmental elements
7. Install PCB onto internal clips.
8. Install cover onto base and ensure there is an even seal.
9. Test and commission.

Suggested installation height (for sensor models):  
Wall installation: 1-2m  
Ceiling installation: 2.5-6m.

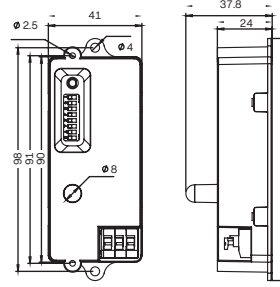
## SURFACE MOUNT



## SUSPENDED



# MICROWAVE SENSOR

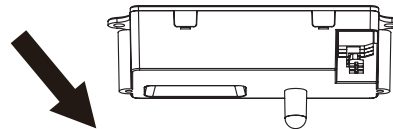


## SPECIFICATIONS

Power source:	220 - 240V / AC	Time setting:	10 Sec ± 3 Sec 1 Min ± 10 Sec 5 Min ± 30 Sec 10 Min ± 1 Min 15 Min ± 1 Min 20 Min ± 2 Min 25 Min ± 2 Min 30 Min ± 3 Min (ADJUSTABLE)
Power frequency:	50/60Hz	Light Control:	24 H   10 LUX   20 LUX 50 LUX   100 LUX   200 LUX 300 LUX   500 LUX (ADJUSTABLE)
Transmission power:	<0.2mW	Installation:	Indoors   Ceiling   Mounting
Rated load:	1000 W/5A, Max, tungsten (coscp= 1) (220 - 240V/AC) 300W/2.5A, Max, fluorescent (coscp=0.5) (220 - 240V IAC)	Working temperature:	- 15°C to +70°C
HF system:	58GHz CW electric wave ISM band	Power consumption:	Approx 0.5W
Detection angle:	360°C		
Detection range:	2m   5m   8m   10m radius (ADJUSTABLE)		

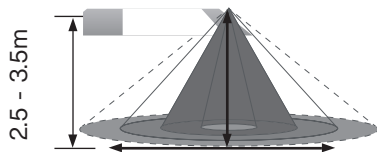
### PLEASE NOTE!

The high - frequency output of this sensor is <0.2mW - that is just one 5000th of the transmission power of a mobile phone or the output of a microwave oven.

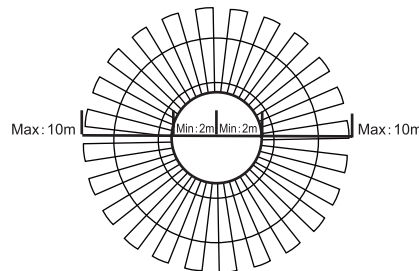


Transmission power <0.2mW

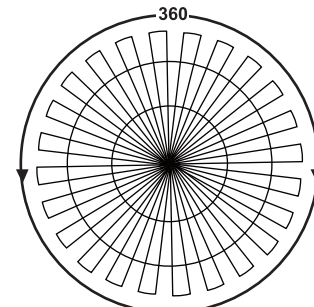
## SENSOR INFORMATION



Height of Installation 2.5 - 3.5m



Height of Installation 2.5m  
Detection range



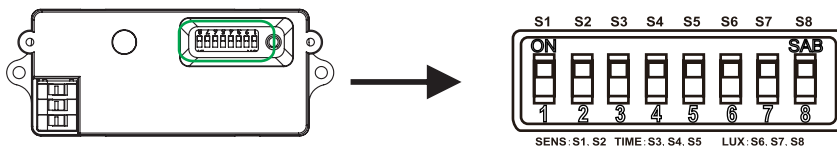
Detection angle

## PARAMETER SETTING

There are 3 adjustments available to this sensor:

- 1 . Sensitivity for the detection range of the sensor (SENS S1 + S2).
- 2 . On time of the light (TIME S3 + S4 + S5).
- 3 . Light level settings (LUX S6 + S7 + S8).

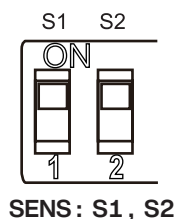
When 0 is listed on the instructions below it means the dip switch is OFF (down toward the number).  
 When 1 is listed it means the dip switch is ON (up toward ON).



## DETECTION RANGE (SENSITIVITY)

Detection range is term used to describe the detection zone produced on the ground after mounting the sensor light. This range listed below is given as a guide and assumes the mounting height is 2.5m from ground level.

S1	S2	Detection range
0	0	2m
0	1	5m
1	0	8m
1	1	10m



### ATTENTION!

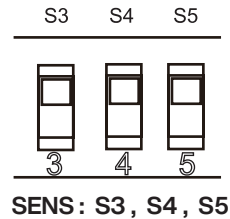
When using this product please adjust the sensitivity to an appropriate position you need. The following may prevent the motion detection from working normally: blowing leaves, curtains, small animals or even power grid & electrical equipment. If this should happen, simply try to lower the sensitivity appropriately and then test it. Please do not adjust the sensitivity to the maximum.

## TIME SETTING (ON TIME)

The light can be set to stay ON for periods of time between 10 seconds to 30 minutes. Any movements detected before this time elapses will result in the timer being restarted. Adjust the dip switches according to the desired time settings shown in the chart below.

### PLEASE NOTE!

After the light switches OFF it takes approximately 4 seconds before it is able to start detecting movement again. The light will only switch ON in response to movement detected once this period has elapsed.

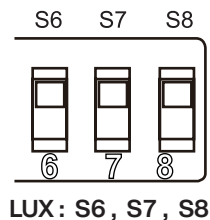


S3	S4	S5	Time
0	0	0	10sec
0	0	1	1min
0	1	0	5min
0	1	1	10min
1	0	0	15min
1	0	1	20min
1	1	0	25min
1	1	1	30min

## LIGHT CONTROL SETTINGS (LUX)

Lux settings can be adjusted so that the sensor will only operate the light when minimum light settings are reached. Alternatively you can set the sensor to 24H allowing the sensor to operate continuously.

Adjust the dip switches according to the desired time settings shown in the chart below:



S6	S7	S8	LUX
0	0	0	24H
0	0	1	10LUX
0	1	0	20LUX
0	1	1	50LUX
1	0	0	100LUX
1	0	1	200LUX
1	1	0	300LUX
1	1	1	500LUX



**WARNING** The following installation situation will lead to nuisance operation!

1. Being installed unevenly or prone to movement (such as loose suspension in a windy area).
2. Moving objects such as curtains.
3. Frequent traffic (people, cars or other objects).
4. Sparks or moving electrical equipment.

## EMERGENCY VERSION

---

**PLEASE READ INSTRUCTION BEFORE COMMENCING INSTALLATION AND RETAIN FOR FUTURE REFERENCES.**

## TESTING

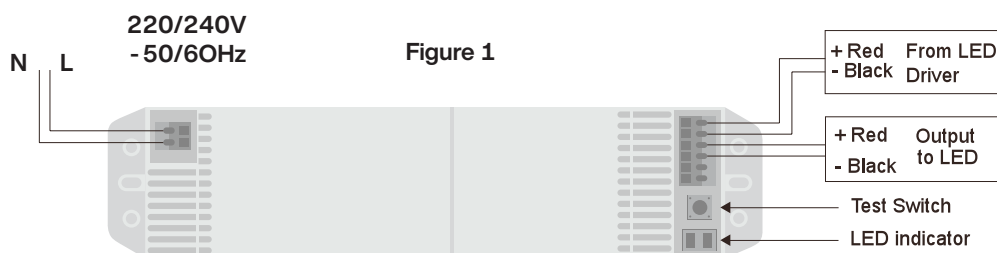
---

The emergency lighting must be inspected and tested regularly in accordance with regulations and laws. We suggest the following as a minimum.

### PLEASE NOTE!

After initial installation please allow 24 hours to ensure the battery is fully charged before commencing tests.

1. Daily check that charge indicator LED is working.
2. Monthly, interrupt mains for a short period and check LED lights.
3. Annual 12 month check, full duration test (longer than 2 hours). Batteries or the fitting should be replaced if they fail to last the 2 hours.
4. Complete record sheet on installation and retain in maintenance file.
5. Update file with ongoing test records for inspection by fire officer or other duly authorised person.



### PLEASE NOTE!

- Take note of the requirement to dispose of Waste Electrical & Electronic Equipment separately from household waste (WEEE marked with a crossed out wheellie bin symbol).
- Product technical information and specification may change over time without prior notification. For the latest technical information please visit our web site [www.melec.com.au](http://www.melec.com.au)